



## Bracket 4H 3/4x1 1/2x1 1/2 Br

**Part Number: 03-4205**

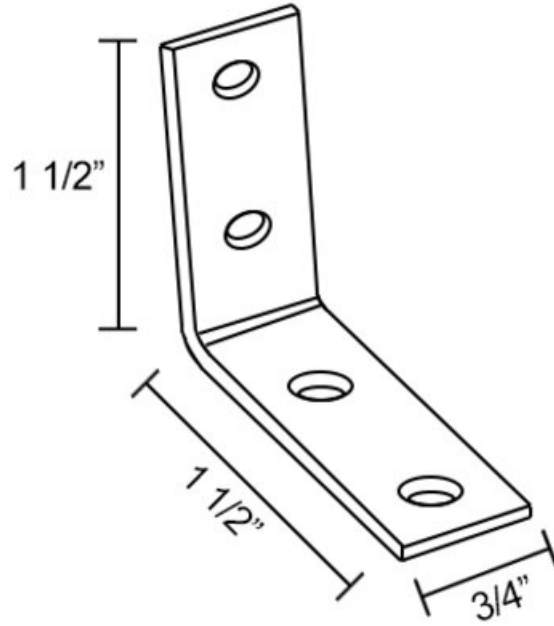
Angle Bracket with 4 Holes, 3/4 x 1-1/2 x 1-1/2

14 gauge steel with bare finish

Bracket Type -----	Angle Bracket
Finish -----	Bare
Gauge -----	14g
Length -----	1-1/2 x 1-1/2 in
Material -----	Steel
Number of Holes -----	4 Hole
Width -----	3/4 in



## Technical Documents



View this product online at <https://marathonhardware.com/pd/03-4205>

