



## Bracket 4H 1x1x1 16g Zinc (7/8 7/8 7/8)

**Part Number: 03-4206**

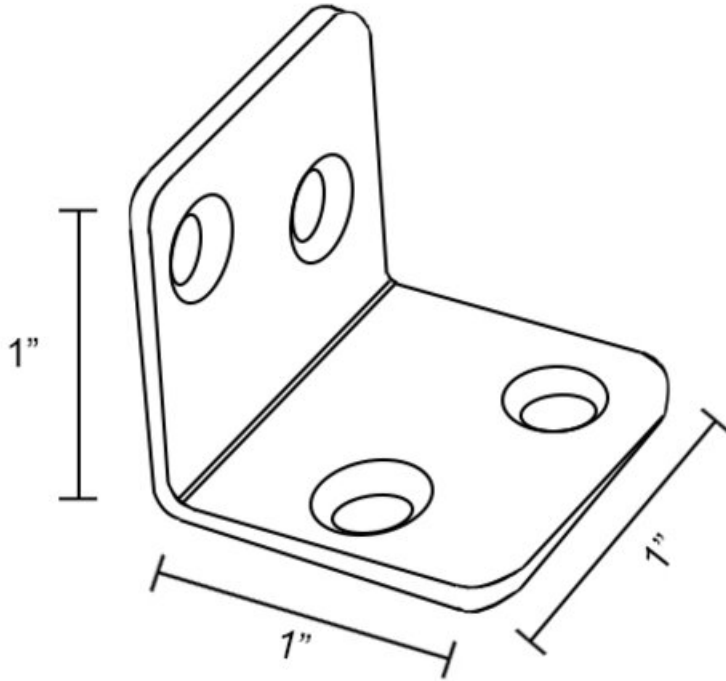
Angle Bracket 4 Holes, 7/8 x 7/8 x 7/8

16 gauge steel with zinc finish

Bracket Type -----	Angle Bracket
Finish -----	Zinc
Gauge -----	16g
Length -----	7/8 x 7/8 in
Material -----	Steel
Number of Holes -----	4 Hole
Width -----	7/8 in



## Technical Documents



View this product online at <https://marathonhardware.com/pd/03-4206>

