



Bracket 7H 1x1x1 3/4 18g Bare

Part Number: 03-4208

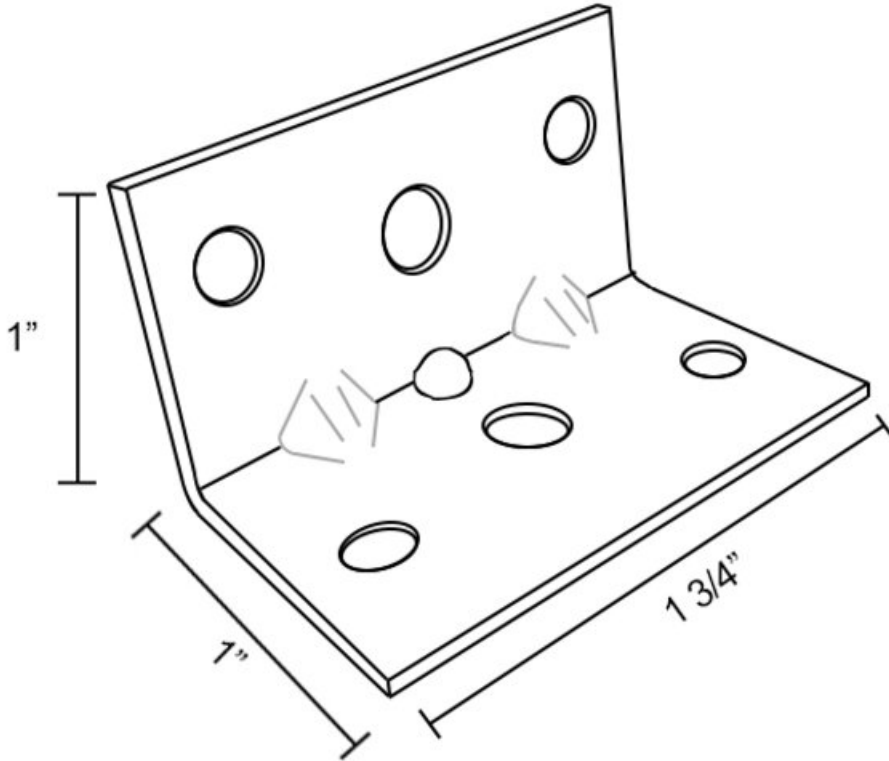
Angle Bracket 7 Holes, 1 x 1 x 1-3/4

18 gauge steel with bare finish.

| | |
|-----------------------|---------------|
| Bracket Type ----- | Angle Bracket |
| Finish ----- | Bare |
| Gauge ----- | 18g |
| Length ----- | 1 x 1 in |
| Material ----- | Steel |
| Number of Holes ----- | 7 Hole |
| Width ----- | 1-3/4 in |



Technical Documents



View this product online at <https://marathonhardware.com/pd/03-4208>

