

## Hinge 135 Pie Corner NON-SC

**Part Number: 105-C81-H675-RC**



C-81 Pie Corner Hinge, 135°, Self-Close

Regular closing 135 degree hinges for attaching pie corner bi-fold doors to one another.

Angle	135
Application Type	Specialized
Closing Type	Self-Close
Cup Type	45mm Standard Pattern
Door Type	Pie Corner (Lazy Susan)
Finish	Nickel
Hinge Cup Depth	11.3 mm
Hinge Cup diameter	35 mm
Hinge Door Drilling Distance	3-7 mm
Hinge Door Thickness	14-24 mm
Hinge Type	Clip-On
Material	Steel
Mounting Type	Screw-On
Plate Type	Compatible with DTC Self-Close Clip-On Plates only

### Product Description

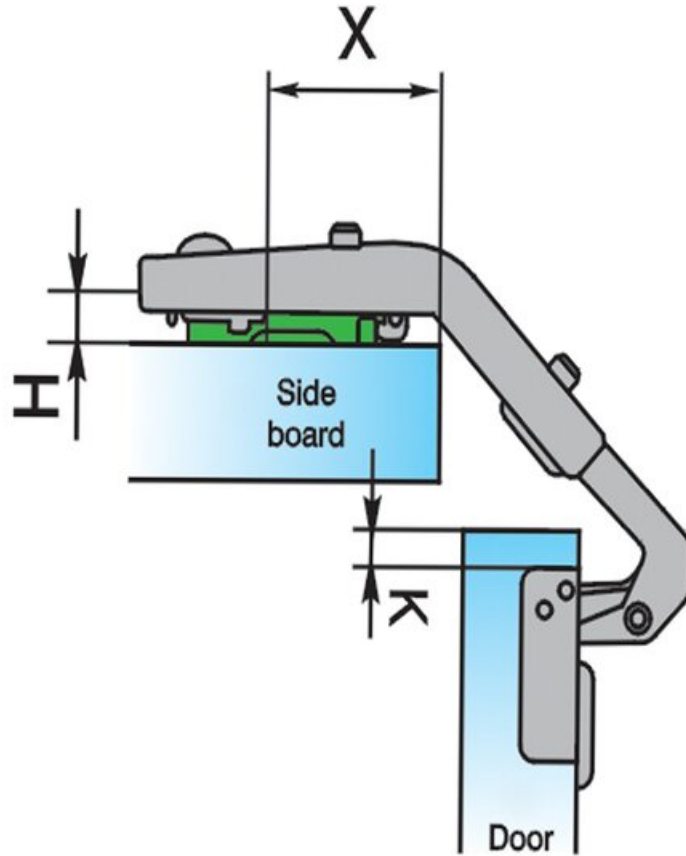
The C-81 Pivot Star is a brand new premium soft-close hinge from DTC. Winner of a 2017 iF Design Award for ground-breaking furniture hardware design. The stepless soft-close adjustment is done via cam adjustment on the hinge arm, meaning it is easily reachable after door is installed. Improved linkages inside the hinge improve the functioning so that a reduced amount of force is necessary to open the door, despite the increase in resistance during the longer soft-close stroke.

### Product Advantages

- Attach bi-fold corner cabinet doors
- 135 degree opening
- Self-closing

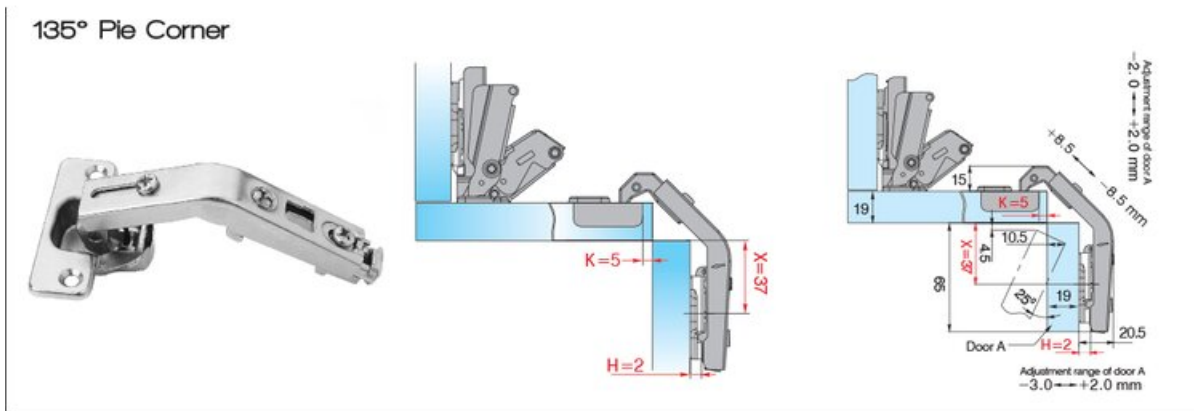


## Technical Documents



View this product online at <https://marathonhardware.com/pd/105-C81-H675-RC>

Technical Documents



View this product online at <https://marathonhardware.com/pd/105-C81-H675-RC>

