



## Laguna Gola Vertical Profile 3m for Single Door, Anodized Matte

**Part Number: 1685-AV1-AN**

This Profile is installed vertically where you only have one door opening providing a single grip and connection to end panel.

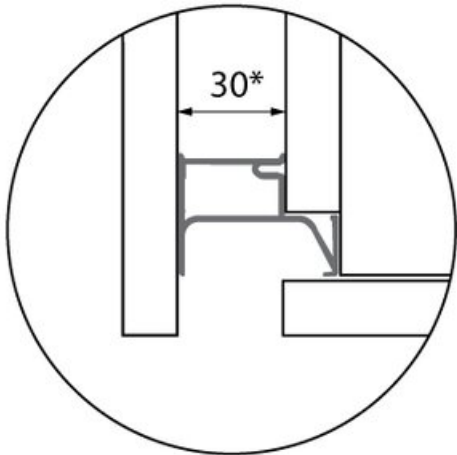
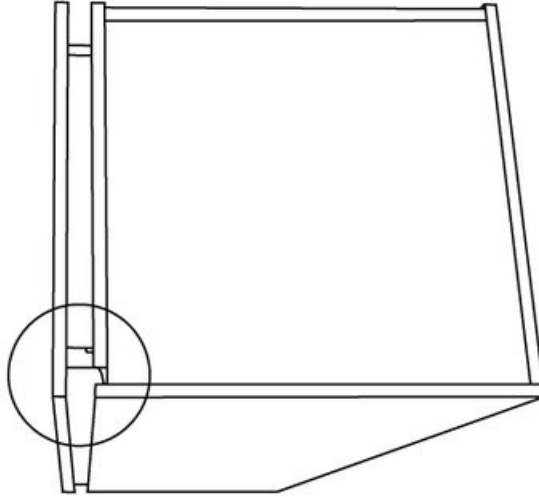
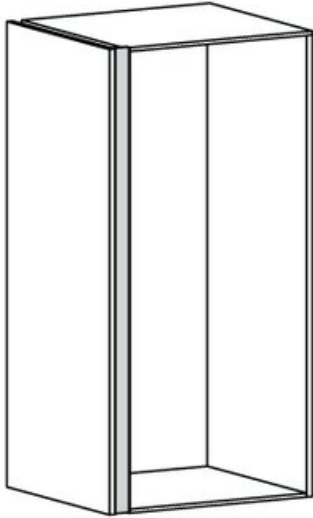
Application Area	Single Tall Door
Colour Group	Silver
Finish Code	Anodized Matte
Material	Aluminum
Mounting Direction	Vertical
Overall Length	300 cm
Shape	L
Style Family	Designer
Type	Gola Profile

### Product Description

Eureka LAGUNA is a European inspired aluminum profile designed for contemporary kitchens. Creating a designer-friendly separation between cabinet doors, pantry doors, and drawer levels, this on-trend alternative to standard decorative handles and knobs offers you the chance to provide your clients with something different and blow them away with this impressive design trend.



## Technical Documents

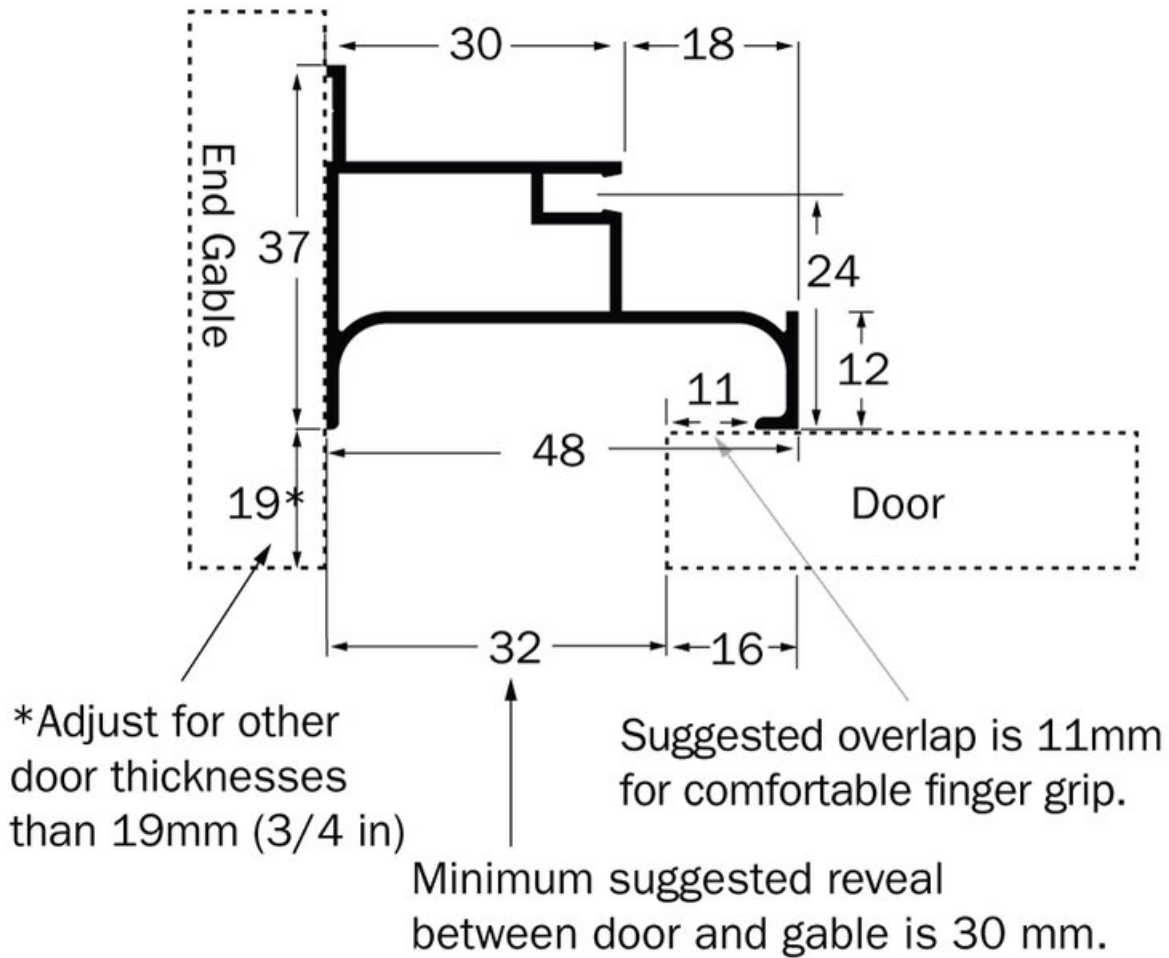


\*Spacer Kit is for gap of 30mm and 18mm Panels.

Use with Shim Kit for 16mm (5/8") Gables.

View this product online at <https://marathonhardware.com/pd/1685-AV1-AN>

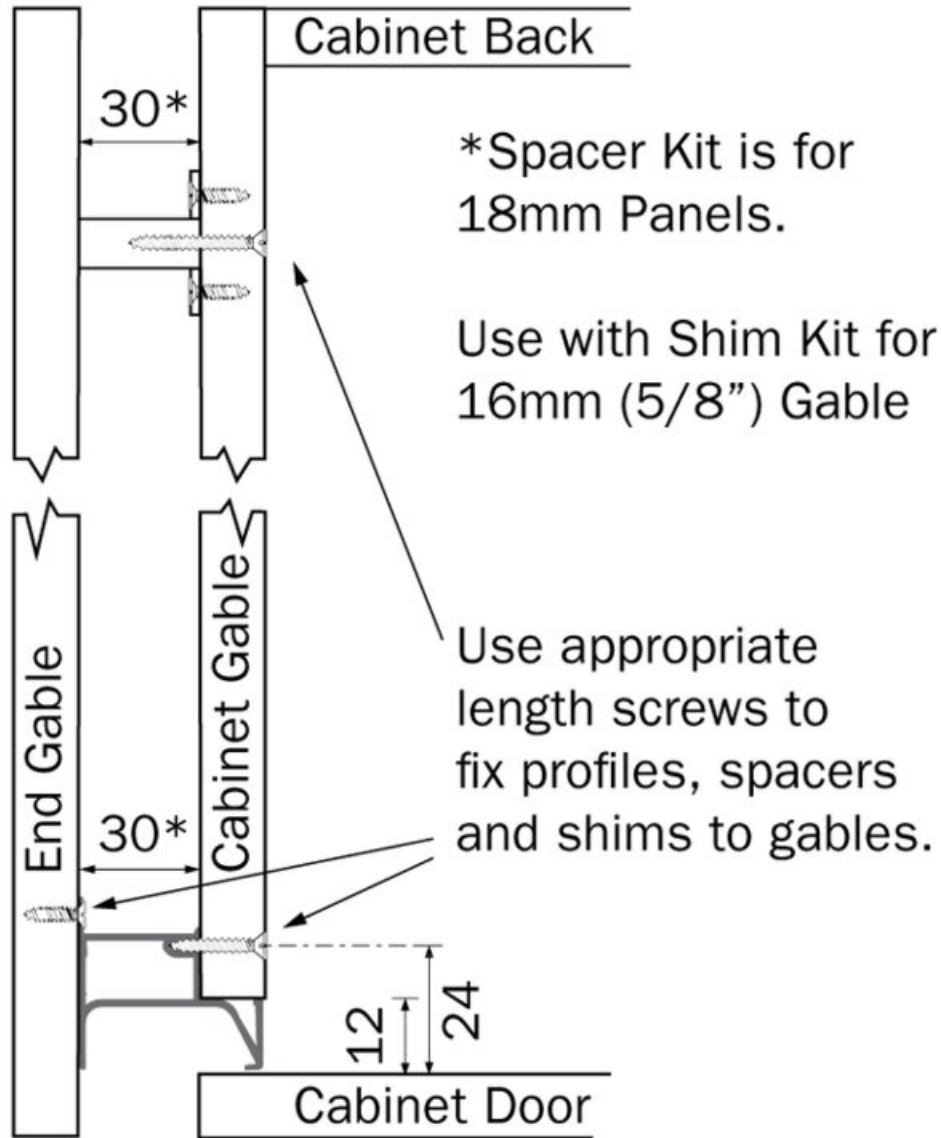
Technical Documents



View this product online at <https://marathonhardware.com/pd/1685-AV1-AN>



## Technical Documents



View this product online at <https://marathonhardware.com/pd/1685-AV1-AN>



## Technical Documents

Profile for Vertical Door and End Panel, 3m Length	
Part#	Finish
1685-AV1-SS	Stainless Steel Lock
1685-AV1-MB	Matte Black
1685-AV1-AN	Anodized Matte

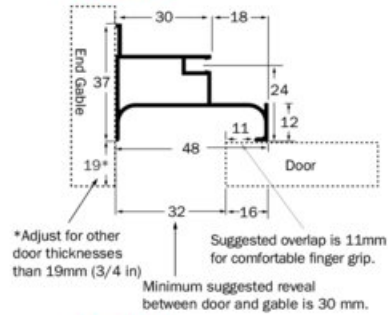
Material: Aluminum  
Dimensions: 3000 x 48 x 37 mm

- Used for single vertical opening doors where end panel fitted beside
- Cut to size with straight cuts only using a chop or mitre saw
- Install to gable with wood screws
- Use Spacer Kits to maintain 30mm gap
- Add 1 side shims from Shim Kits with Spacer Kits for 16mm (5/8") panels.

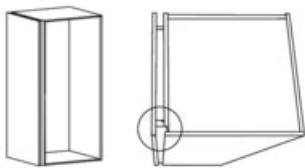


### Technical Specifications

#### Dimensions

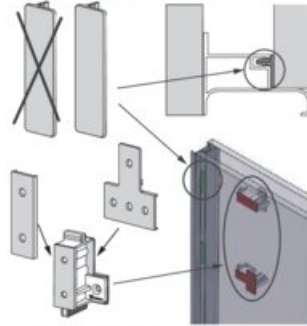


#### Application - One Vertical Doors & End Panel



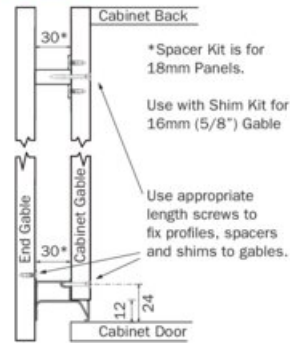
\*Spacer Kit is for gap of 30mm and 18mm Panels.  
Use with Shim Kit for 16mm (5/8") Gables.

#### Use of Spacer and Shim Kits



\* Select only 1 shim side with spacer

#### Fixing Details

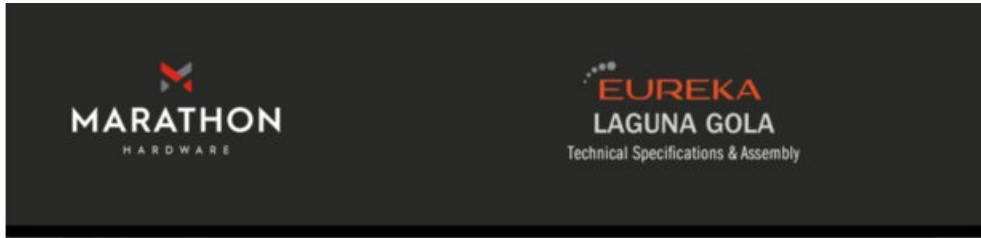


\*Spacer Kit is for 18mm Panels.  
Use with Shim Kit for 16mm (5/8") Gable  
Use appropriate length screws to fix profiles, spacers and shims to gables.

View this product online at <https://marathonhardware.com/pd/1685-AV1-AN>



## Technical Documents



### Eureka Laguna Gola

### Product Features



Eureka LAGUNA is a European-inspired aluminum profile that brings sleek sophistication to contemporary kitchens. Designed to create a seamless, designer-friendly separation between cabinet doors, pantry doors, and drawer levels, this modern alternative to traditional handles and knobs makes a bold style statement.

LAGUNA elevates the aesthetic with clean lines and an effortlessly integrated look. Whether you're crafting a minimalist masterpiece or adding a touch of European elegance, this trend-forward solution gives you the power to wow your clients with something refreshingly different. Set the standard for high-end design with Eureka LAGUNA.

### What's In the Box (items sold separately)

- (A) Spacer Kit
- (B) Shim Kit for 16mm panels
- (C) C-Profile for Vertical Double Doors
- (D) L-Profile for Vertical Single Door
- (E) Closed End Cap for Vertical Doors
- (F) Mounting Clips for Horizontal Profiles
- (G) C-Profile for Between Drawers
- (H) Closed End Cap, C-Shape, Universal
- (I) Open End Cap, C-Shape, Universal
- (J) Upper Cabinet Profile
- (K) L-Profile for Under Countertop
- (L) 90° Inside Corner Joint
- (M) 90° Outside Corner Joint
- (N) Closed End Cap, L-Shape, Left
- (O) Closed End Cap, L-Shape, Right
- (P) Open End Cap, L-Shape, Left
- (Q) Open End Cap, L-Shape, Right



### Ordering Guide

Description	Stainless Steel Look Parte	Matte Black Parte	Anodized Matte Parte	Satin Gold Parte	Bronze Parte	Grey Parte
C-Shape Profile for Horizontal Between Drawers, 3m Length	1685-AID-SS	1685-AID-MB	1685-AID-AM	1685-AID-SGLD	1685-AID-BRZ	--
L-Shape Profile for Horizontal Under Countertops, 3m Length	1682-AUC-SS	1682-AUC-MB	1682-AUC-AM	1682-AUC-SGLD	1682-AUC-BRZ	--
Profile for Vertical Double Doors, 3m Length	1684-AV2-SS	1684-AV2-MB	1684-AV2-AM	1684-AV2-SGLD	1684-AV2-BRZ	--
Profile for Vertical Door and End Panel, 3m Length	1685-AV1-SS	1685-AV1-MB	1685-AV1-AM	1685-AV1-SGLD	1685-AV1-BRZ	--
Upper Cabinet Profile, for Behind Door on 16mm Panel, 3m Length	1645-2APC-SS	1645-2APC-MB	1645-2APC-AM	1645-2APC-SGLD	1645-2APC-BRZ	--
Corner Connector for Horizontal L-Shape Profile, Inside 90 Degrees	1682-AP4-SS	1682-AP4-MB	1682-AP4-AM	1682-AP4-SGLD	1682-AP4-BRZ	--
Corner Connector for Horizontal L-Shape Profile, Outside 90 Degrees	1682-AP5-SS	1682-AP5-MB	1682-AP5-AM	1682-AP5-SGLD	1682-AP5-BRZ	--
Open Cover Cap for L-Shape Profiles, Right	1682-APR-SS	1682-APR-MB	1682-APR-AM	1682-APR-SGLD	1682-APR-BRZ	--
Open Cover Cap for L-Shape Profiles, Left	1682-APL-SS	1682-APL-MB	1682-APL-AM	1682-APL-SGLD	1682-APL-BRZ	--
Closed Cover Cap for L-Shape Profiles, Right	1682-AP2R-SS	1682-AP2R-MB	1682-AP2R-AM	1682-AP2R-SGLD	1682-AP2R-BRZ	--
Closed Cover Cap for L-Shape Profiles, Left	1682-AP2L-SS	1682-AP2L-MB	1682-AP2L-AM	1682-AP2L-SGLD	1682-AP2L-BRZ	--
Open Cover Cap for C-Shape Profiles	1683-AP1U-SS	1683-AP1U-MB	1683-AP1U-AM	1683-AP1U-SGLD	1683-AP1U-BRZ	--
Closed Cover Cap for C-Shape Profiles	1683-AP2U-SS	1683-AP2U-MB	1683-AP2U-AM	1683-AP2U-SGLD	1683-AP2U-BRZ	--
Vertical Profile Closed Cover Cap for Top/Bottom	1684-APT8-SS	1684-APT8-MB	1684-APT8-AM	1684-APT8-SGLD	1684-APT8-BRZ	--
Mounting Clip, Screw-On	--	--	--	--	--	1682-AP8
Mounting Clip, Plastic Dowel (5mm)	--	--	--	--	--	1682-AP9

800.840.1228 / MARATHONHARDWARE.COM

View this product online at <https://marathonhardware.com/pd/1685-AV1-AN>



## Technical Documents



### Vertical Door Installation Kits

**A** Spacer Kit  
1619-7SP



**B** Shim Kit for 16mm Panels  
1627-2SH



### Vertical Door Applications

**C** C-Profile for Vertical Double Doors  
1684-AV2-SS Stainless Look  
1684-AV2-MB Matte Black  
1684-AV2-AN Anodized Matte



**D** L-Profile for Vertical Single Door  
1685-AV1-SS Stainless Look  
1685-AV1-MB Matte Black  
1685-AV1-AN Anodized Matte

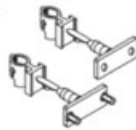


**E** Closed End Cap for Vertical Doors  
1684-AP1TB-SS Stainless Look  
1684-AP1TB-MB Matte Black  
1684-AP1TB-AN Anodized Matte



### Horizontal Profile Mounting Clips

**F** Mounting Clips for Horizontal Profiles  
1682-AP8 Screw-On  
1682-AP9 Plastic Dowel



### Horizontal C-Shape - Between Drawers

**G** C-Profile for Between Drawers  
1683-AID-SS Stainless Look  
1683-AID-MB Matte Black  
1683-AID-AN Anodized Matte



**H** Closed End Cap, C-Shape, Universal  
1683-AP2U-SS Stainless Look  
1683-AP2U-MB Matte Black  
1683-AP2U-AN Anodized Matte



**I** Open End Cap, C-Shape, Universal  
1683-AP1U-SS Stainless Look  
1683-AP1U-MB Matte Black  
1683-AP1U-AN Anodized Matte



### Upper Cabinet Door Profile

**J** Upper Cabinet Profile

1645-2APC-SS Stainless Look  
1645-2APC-MB Matte Black  
1645-2APC-AN Anodized Matte



### Horizontal L-Shape - Under Countertops

**K** L-Profile for Under Countertop

1682-AUC-SS Stainless Look  
1682-AUC-MB Matte Black  
1682-AUC-AN Anodized Matte



**L** 90° Inside Corner Joint

1682-AP4-SS Stainless Look  
1682-AP4-MB Matte Black  
1682-AP4-AN Anodized Matte



**M** 90° Outside Corner Joint

1682-AP5-SS Stainless Look  
1682-AP5-MB Matte Black  
1682-AP5-AN Anodized Matte



**N** Closed End Cap, L-Shape, Left

1682-AP2L-SS Stainless Look  
1682-AP2L-MB Matte Black  
1682-AP2L-AN Anodized Matte



**O** Closed End Cap, L-Shape, Right

1682-AP2R-SS Stainless Look  
1682-AP2R-MB Matte Black  
1682-AP2R-AN Anodized Matte



**P** Open End Cap, L-Shape, Left

1682-AP1L-SS Stainless Look  
1682-AP1L-MB Matte Black  
1682-AP1L-AN Anodized Matte



**Q** Open End Cap, L-Shape, Right

1682-AP1R-SS Stainless Look  
1682-AP1R-MB Matte Black  
1682-AP1R-AN Anodized Matte



View this product online at <https://marathonhardware.com/pd/1685-AV1-AN>

