



Coat Hook 125mm Polished Chrome

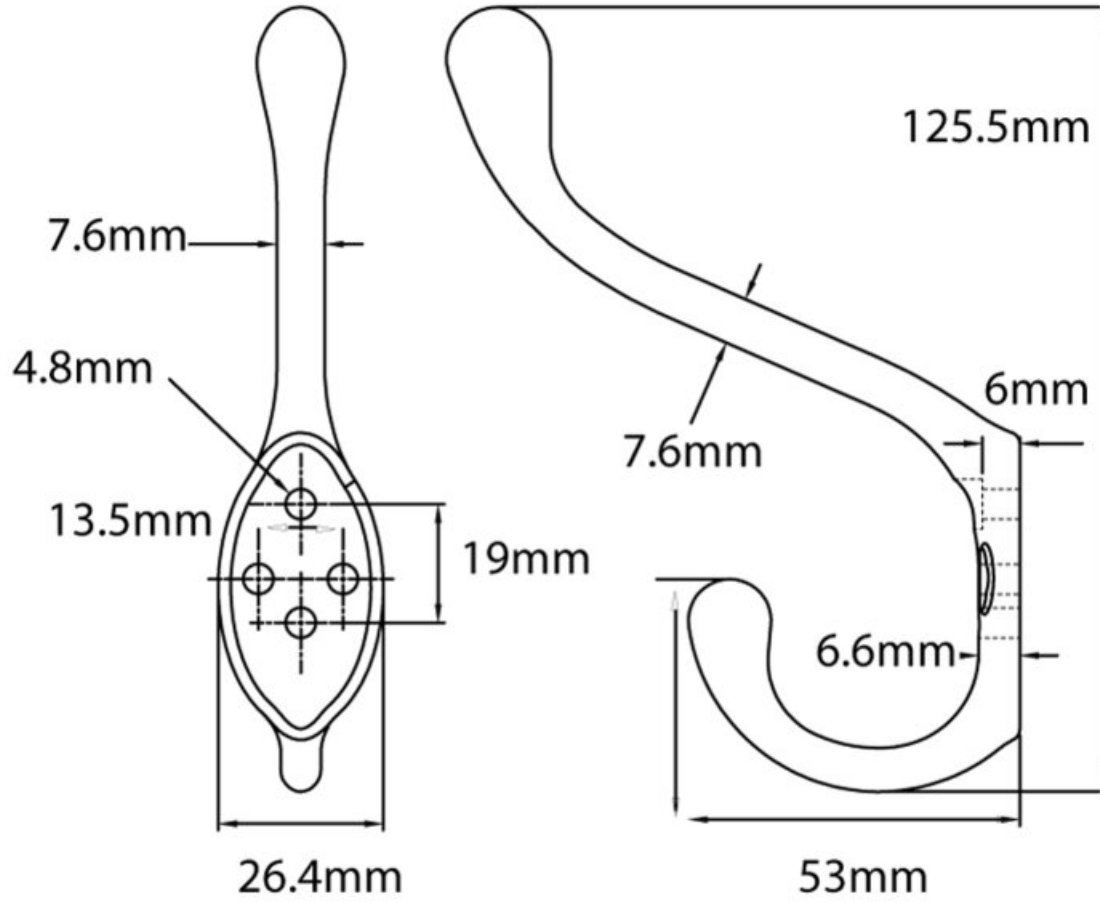
Part Number: 2003-PC

This coat hook is reinforced with 4 screw holes especially suited for heavy-duty millwork applications.

Colour Group	-----	Silver
Finish Code	-----	Polished Chrome
Type	-----	Coat Hook



Technical Documents



View this product online at <https://marathonhardware.com/pd/2003-PC>

