

Cornet Knob 16mm Brushed Nickel

Part Number: 9261-16-BNI



Cornet Contemporary Knob, 16mm, Brushed Nickel

A perfect little single finger pull; Cornet is a striking addition to any piece of furniture.

Center to Center Length	16 mm
Collection	Cornet
Colour Group	Silver
Finish Code	Brushed Nickel
Material	Zinc Diecast
Mounting Type	8-32 Machine Screw
Overall Length	23 mm
Projection (Height)	23 mm
Style Family	Contemporary
Type	Knob
Width	35 mm

Product Description

The *Contemporary* lineup is a wide selection of modern designs that embody sleek, flowing lines and on-trend finishes. These diverse knobs and pulls can bring life to your space by adding a modern touch to your design or complementing an overall fashionable theme.

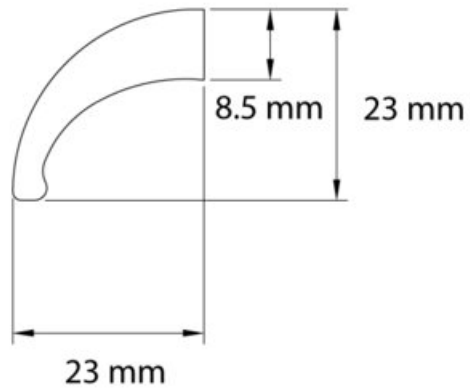
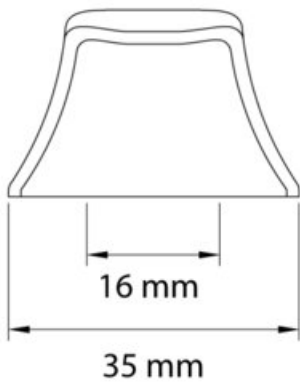
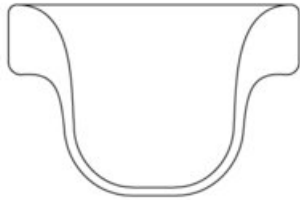
Our complete Decorative Hardware lineup is globally sourced, using some of the best materials available in the industry. We strive to offer in the latest on-trend finishes and exclusive, awe-inspiring European designs, in our high-quality decorative hardware. And it's all backed by our Limited Lifetime Warranty.

Included Products

Industry standard mounting hardware



Technical Documents



View this product online at <https://marathonhardware.com/pd/9261-16-BN/>

