

Burton Knob 31mm Matte Black

Part Number: 9783-DBK



Burton Contemporary Knob, 31mm, Matte Black

Rounded corners and a slightly domed face set the Burton apart from standard square knobs.

Collection	Burton
Colour Group	Black
Finish Code	Matte Black
Material	Zinc Diecast
Mounting Type	8-32 Machine Screw
Overall Length	31 mm
Projection (Height)	25 mm
Style Family	Contemporary
Type	Knob
Width	31 mm

Product Description

The *Contemporary* lineup is a wide selection of modern designs that embody sleek, flowing lines and on-trend finishes. These diverse knobs and pulls can bring life to your space by adding a modern touch to your design or complementing an overall fashionable theme.

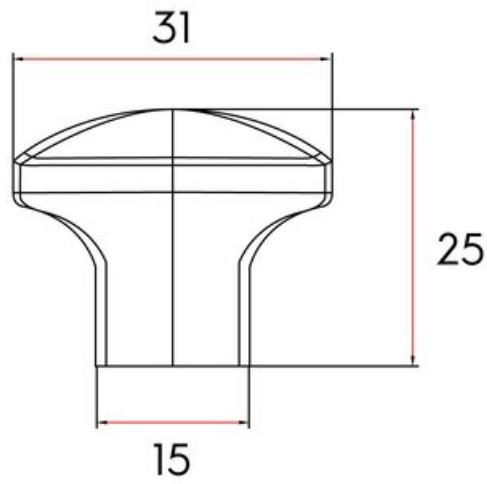
Our complete Decorative Hardware lineup is globally sourced, using some of the best materials available in the industry. We strive to offer in the latest on-trend finishes and exclusive, awe-inspiring European designs, in our high-quality decorative hardware. And it's all backed by our Limited Lifetime Warranty.

Included Products

Industry standard mounting hardware



Technical Documents



View this product online at <https://marathonhardware.com/pd/9783-DBK>

