



Garment Hook TIBERIO Sand Silk

Part Number: 8220-SAND.S

Tiberio Garment Hook, Sand Silk

The Tiberio wall hook blends timeless elegance with modern versatility, featuring an adjustable loop placement for a customized design and functional fit.

Collection	Tiberio
Colour Group	Beige
Finish Code	Sand Silk
Material	Zamak
Overall Length	90 mm
Projection (Height)	57 mm
Style Family	Designer
Type	Hook
Width	17 mm

Product Description

A statement of elegance and function, the TIBERIO wall hook merges timeless design with modern craftsmanship. Its refined silhouette, inspired by classical forms, adds sophistication to any space, while the adjustable loop placement allows you to customize it to fit your design and use preferences. Designed by Roberto Marella, TIBERIO is more than just a hook—it's a versatile accent piece that seamlessly blends style and utility.

Product Advantages

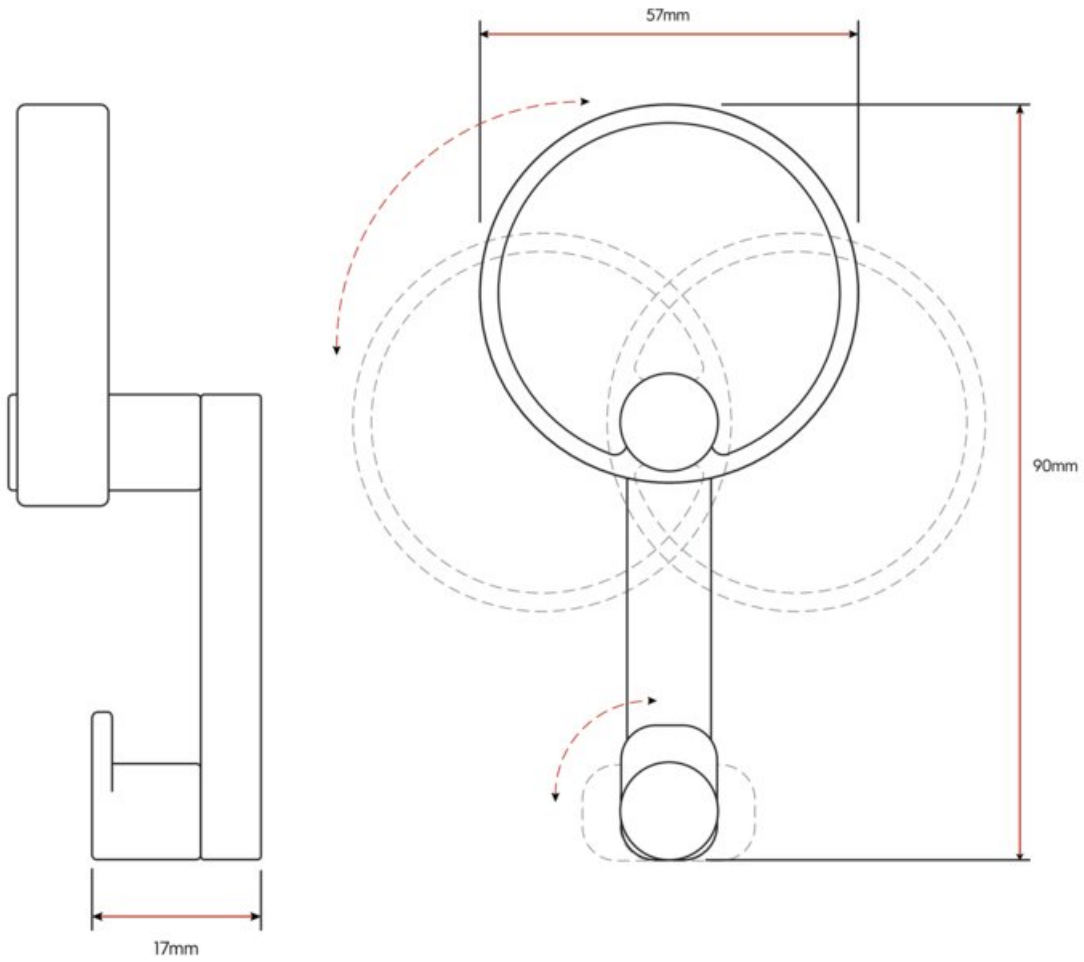
- 8 Silk finishes:
 - Black, Blue, Bordeaux, Cocoa, Dove Grey, Green, Sand, White
- 2 Brushed Metal finishes:
 - Matte Gold, Satin Nickel
- Customizable orientation of the hanger loop and small bottom hook

Important Information

*Customizable hook orientation must be set before installation



Technical Documents



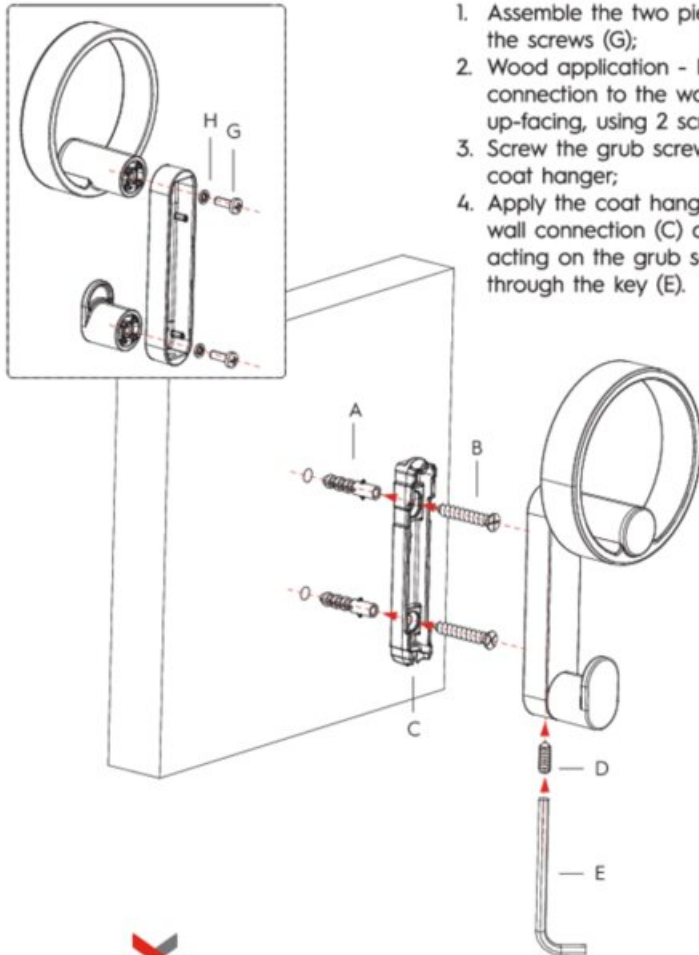
View this product online at <https://marathonhardware.com/pd/8220-SAND.S>



Technical Documents



Tiberio Wall Application



1. Assemble the two pieces using the screws (G);
2. Wood application - Fix the wall connection to the wall (C), up-facing, using 2 screws (F);
3. Screw the grub screw (D) to the coat hanger;
4. Apply the coat hanger to the wall connection (C) and fix it, acting on the grub screw (D) through the key (E).



View this product online at <https://marathonhardware.com/pd/8220-SAND.S>

