



## Garment Hook TIBERIO Cocoa Silk

**Part Number: 8220-COCOA.S**

Tiberio Garment Hook, Cocoa Silk

The Tiberio wall hook blends timeless elegance with modern versatility, featuring an adjustable loop placement for a customized design and functional fit.

|                     |            |
|---------------------|------------|
| Collection          | Tiberio    |
| Colour Group        | Brown      |
| Finish Code         | Cocoa Silk |
| Material            | Zamak      |
| Overall Length      | 90 mm      |
| Projection (Height) | 57 mm      |
| Style Family        | Designer   |
| Type                | Hook       |
| Width               | 17 mm      |

### Product Description

A statement of elegance and function, the TIBERIO wall hook merges timeless design with modern craftsmanship. Its refined silhouette, inspired by classical forms, adds sophistication to any space, while the adjustable loop placement allows you to customize it to fit your design and use preferences. Designed by Roberto Marella, TIBERIO is more than just a hook—it's a versatile accent piece that seamlessly blends style and utility.

### Product Advantages

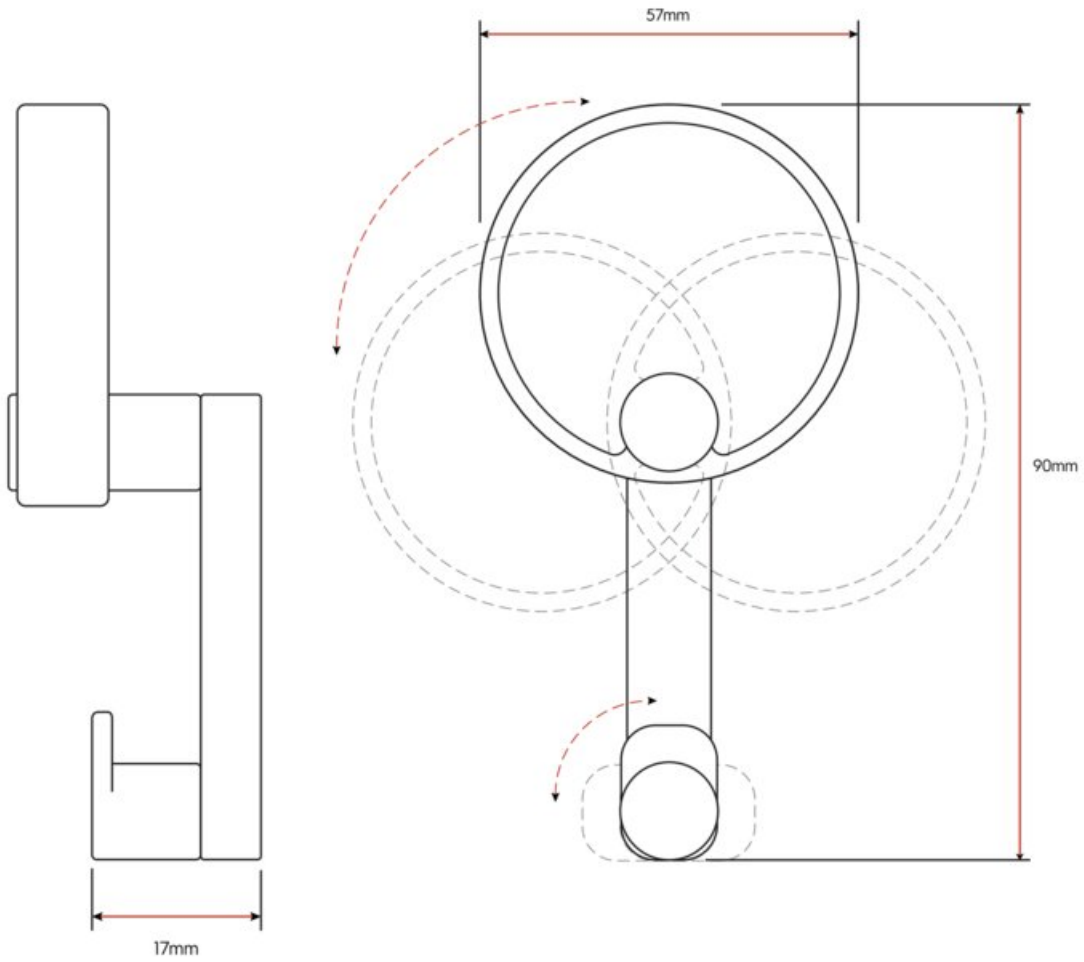
- 8 Silk finishes:
  - Black, Blue, Bordeaux, Cocoa, Dove Grey, Green, Sand, White
- 2 Brushed Metal finishes:
  - Matte Gold, Satin Nickel
- Customizable orientation of the hanger loop and small bottom hook

### Important Information

\*Customizable hook orientation must be set before installation

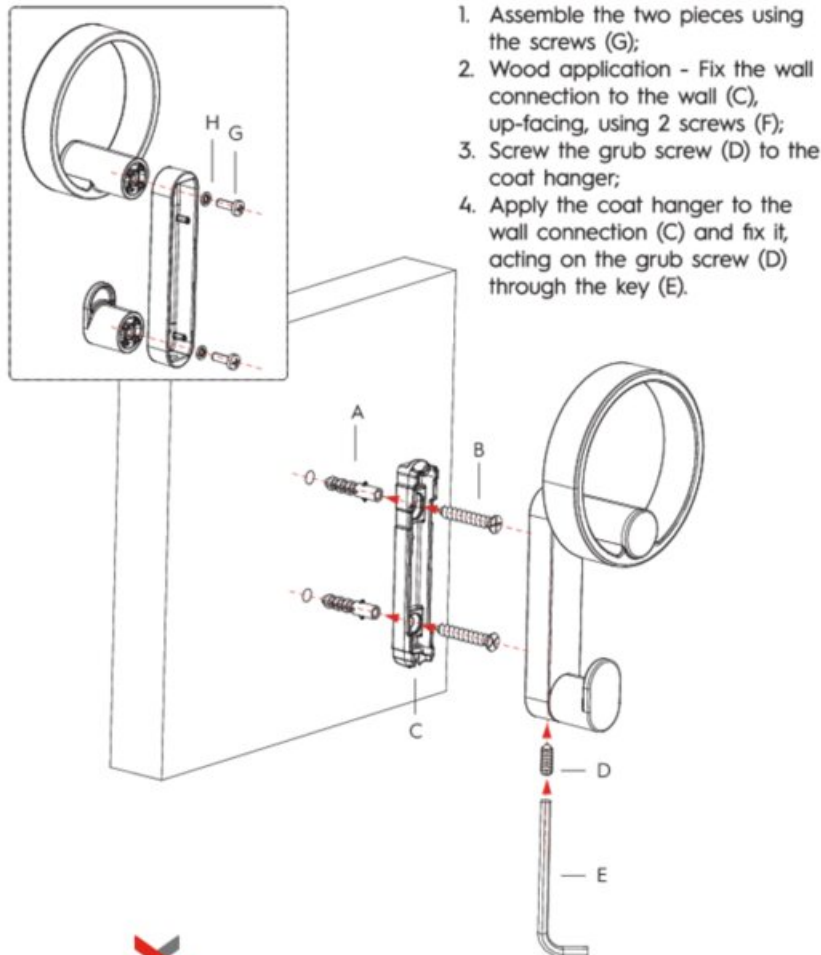


## Technical Documents



View this product online at <https://marathonhardware.com/pd/8220-COCOA.S>

## Technical Documents

 Tiberio Wall Application  
**MARATHON**  
HARDWARE

View this product online at <https://marathonhardware.com/pd/8220-COCHA.S>

