



Laguna Profile 3m Vertical 2D Bronze

Part Number: 1684-AV2-BRZ

Laguna Gola Vertical Profile for Double Tall Doors, Bronze

This Profile is installed vertically in between two doors providing double opening grip.

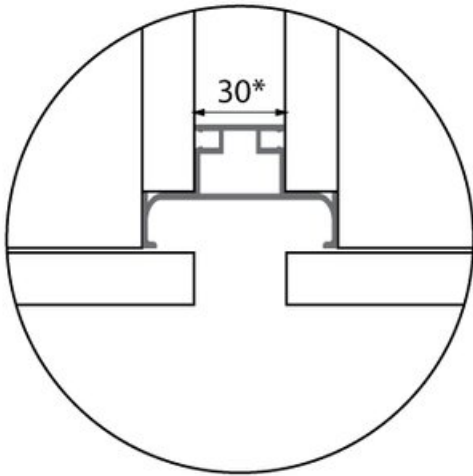
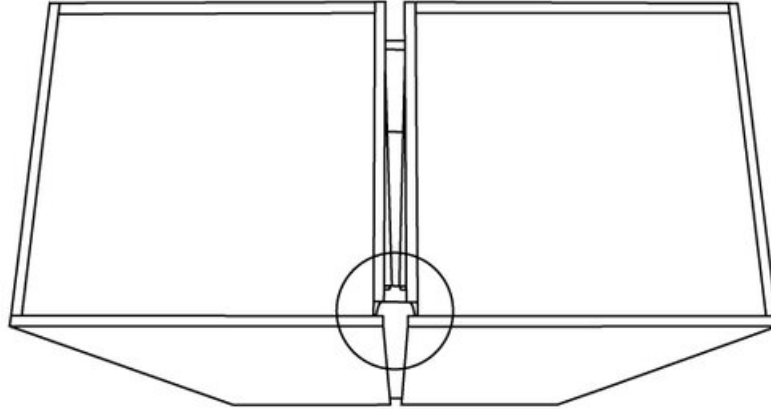
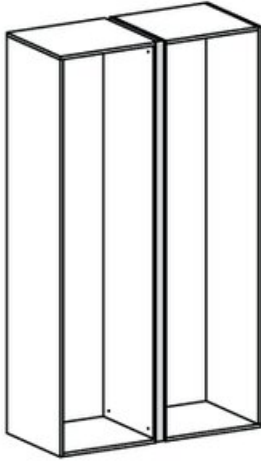
| | |
|--------------------|-------------------|
| Application Area | Double Tall Doors |
| Colour Group | Bronze |
| Finish Code | Bronze |
| Material | Aluminum |
| Mounting Direction | Vertical |
| Overall Length | 300 cm |
| Shape | C |
| Style Family | Designer |
| Type | Gola Profile |

Product Description

Eureka LAGUNA is a European inspired aluminum profile designed for contemporary kitchens. Creating a designer-friendly separation between cabinet doors, pantry doors, and drawer levels, this on-trend alternative to standard decorative handles and knobs offers you the chance to provide your clients with something different and blow them away with this impressive design trend.



Technical Documents



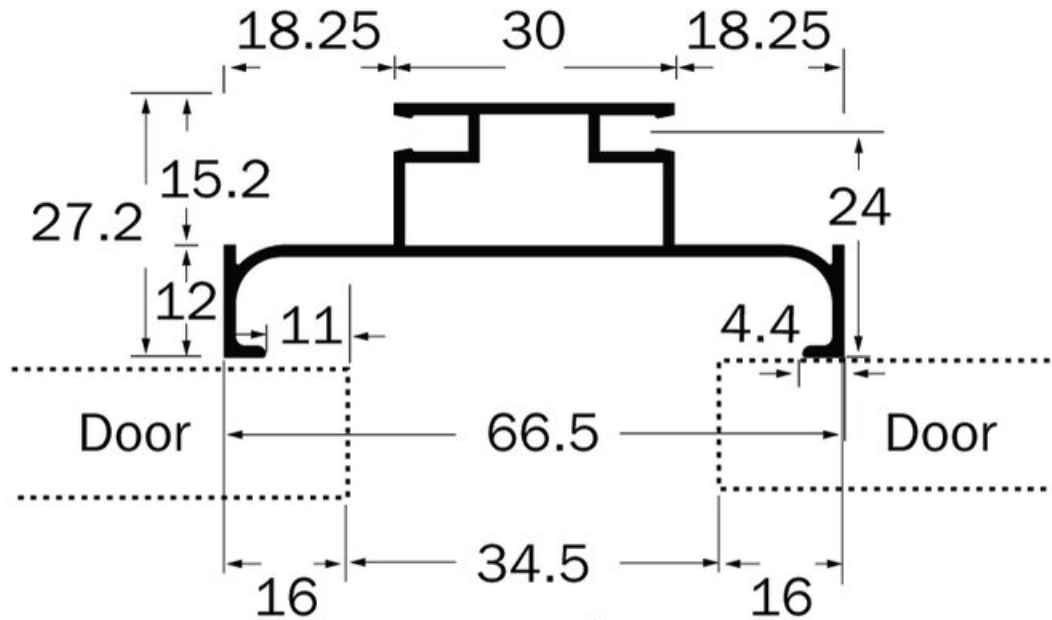
*Spacer Kit is for gap of 30mm and 18mm Panels.

Use with Shim Kit for 16mm (5/8") Gables.

View this product online at <https://marathonhardware.com/pd/1684-AV2-BRZ>



Technical Documents



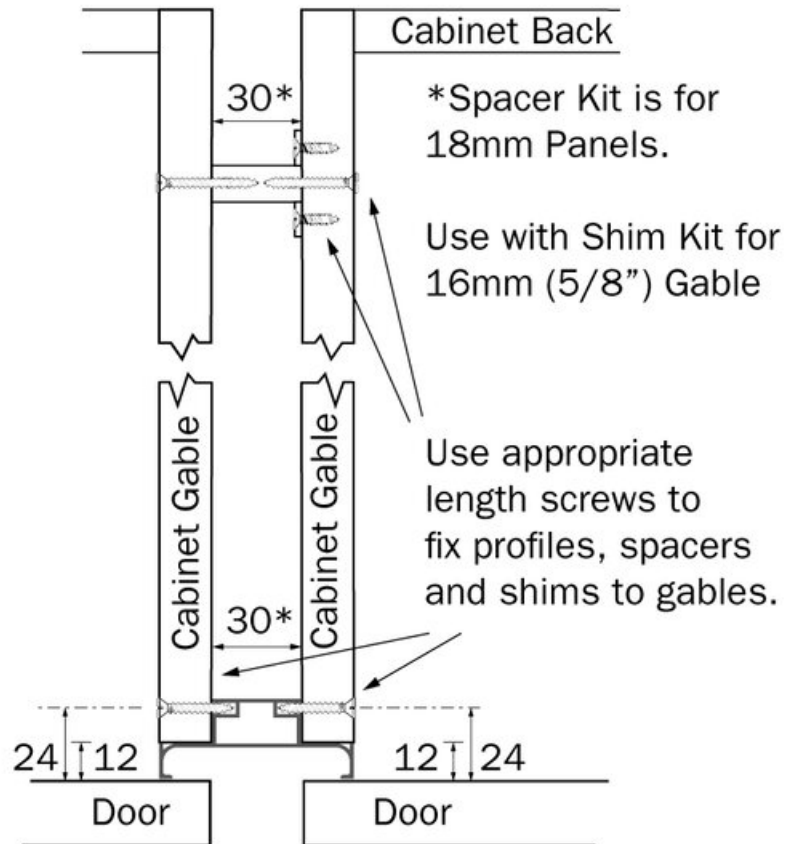
Suggested overlap is 11mm for comfortable finger grip.

Minimum suggested reveal between doors is 30 mm.

View this product online at <https://marathonhardware.com/pd/1684-AV2-BRZ>



Technical Documents



View this product online at <https://marathonhardware.com/pd/1684-AV2-BRZ>



Technical Documents

Technical Specifications

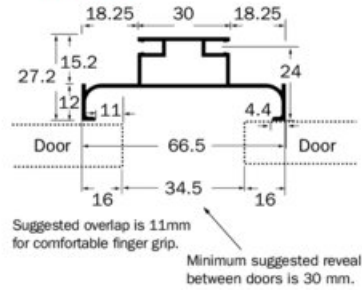
| Profile for Vertical Double Doors, 3m Length | |
|--|----------------------|
| Part | Finish |
| 1684-AV2-SS | Stainless Steel Lock |
| 1684-AV2-MB | Matte Black |
| 1684-AV2-AN | Anodized Matte |

Material: Aluminum
 Dimensions: 3000 x 73 x 26.5 mm

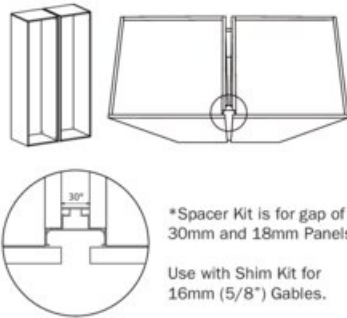
- Used with tall cabinets where two opening doors meet
- Cut to size with straight cuts only using a chop or mitre saw
- Install to gable with wood screws
- Use Spacer kits to maintain 30mm gap
- Add both shims from Shim Kits to Spacer Kits when using 16mm (5/8") Panels



Dimensions

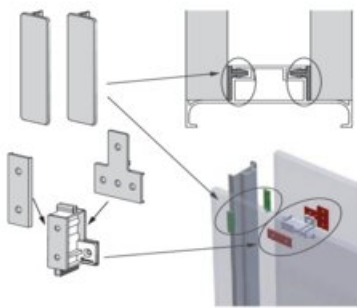


Application - Two Vertical Doors

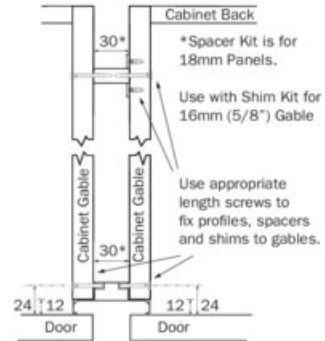


*Spacer Kit is for gap of 30mm and 18mm Panels.
 Use with Shim Kit for 16mm (5/8") Gables.

Use of Spacer and Shim Kits



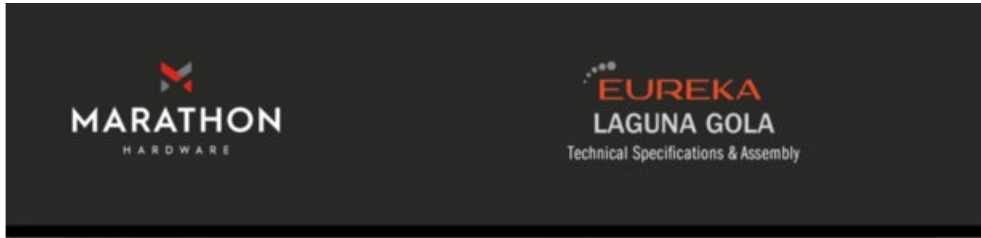
Fixing Details



View this product online at <https://marathonhardware.com/pd/1684-AV2-BRZ>



Technical Documents



Eureka Laguna Gola

Product Features



Eureka LAGUNA is a European-inspired aluminum profile that brings sleek sophistication to contemporary kitchens. Designed to create a seamless, designer-friendly separation between cabinet doors, pantry doors, and drawer levels, this modern alternative to traditional handles and knobs makes a bold style statement.

LAGUNA elevates the aesthetic with clean lines and an effortlessly integrated look. Whether you're crafting a minimalist masterpiece or adding a touch of European elegance, this trend-forward solution gives you the power to wow your clients with something refreshingly different. Set the standard for high-end design with Eureka LAGUNA.

What's In the Box (items sold separately)

- (A) Spacer Kit
- (B) Slim Kit for 16mm panels
- (C) C-Profile for Vertical Double Doors
- (D) L-Profile for Vertical Single Door
- (E) Closed End Cap for Vertical Doors
- (F) Mounting Clips for Horizontal Profiles
- (G) C-Profile for Between Drawers
- (H) Closed End Cap, C-Shape, Universal
- (I) Open End Cap, C-Shape, Universal
- (J) Upper Cabinet Profile
- (K) L-Profile for Under Countertop
- (L) 90° Inside Corner Joint
- (M) 90° Outside Corner Joint
- (N) Closed End Cap, L-Shape, Left
- (O) Closed End Cap, L-Shape, Right
- (P) Open End Cap, L-Shape, Left
- (Q) Open End Cap, L-Shape, Right



Ordering Guide

| Description | Stainless Steel Look Part# | Matte Black Part# | Anodized Matte Part# | Satin Gold Part# | Bronze Part# | Grey Part# |
|---|----------------------------|-------------------|----------------------|------------------|---------------|------------|
| C-Shape Profile for Horizontal Between Drawers, 3m Length | 1683-AID-SS | 1683-AID-MB | 1683-AID-AM | 1683-AID-SGLD | 1683-AID-BRZ | -- |
| L-Shape Profile for Horizontal Under Countertops, 3m Length | 1682-AUC-SS | 1682-AUC-MB | 1682-AUC-AM | 1682-AUC-SGLD | 1682-AUC-BRZ | -- |
| Profile for Vertical Double Doors, 3m Length | 1684-AV2-SS | 1684-AV2-MB | 1684-AV2-AM | 1684-AV2-SGLD | 1684-AV2-BRZ | -- |
| Profile for Vertical Door and End Panel, 3m Length | 1685-AV1-SS | 1685-AV1-MB | 1685-AV1-AM | 1685-AV1-SGLD | 1685-AV1-BRZ | -- |
| Upper Cabinet Profile, for Behind Door on 16mm Panel, 3m Length | 1645-2APC-SS | 1645-2APC-MB | 1645-2APC-AM | 1645-2APC-SGLD | 1645-2APC-BRZ | -- |
| Corner Connector for Horizontal L-Shape Profile, Inside 90 Degrees | 1682-AP4-SS | 1682-AP4-MB | 1682-AP4-AM | 1682-AP4-SGLD | 1682-AP4-BRZ | -- |
| Corner Connector for Horizontal L-Shape Profile, Outside 90 Degrees | 1682-AP5-SS | 1682-AP5-MB | 1682-AP5-AM | 1682-AP5-SGLD | 1682-AP5-BRZ | -- |
| Open Cover Cap for L-Shape Profiles, Right | 1682-APR-SS | 1682-APR-MB | 1682-APR-AM | 1682-APR-SGLD | 1682-APR-BRZ | -- |
| Open Cover Cap for L-Shape Profiles, Left | 1682-APL-SS | 1682-APL-MB | 1682-APL-AM | 1682-APL-SGLD | 1682-APL-BRZ | -- |
| Closed Cover Cap for L-Shape Profiles, Right | 1682-AP2R-SS | 1682-AP2R-MB | 1682-AP2R-AM | 1682-AP2R-SGLD | 1682-AP2R-BRZ | -- |
| Closed Cover Cap for L-Shape Profiles, Left | 1682-AP2L-SS | 1682-AP2L-MB | 1682-AP2L-AM | 1682-AP2L-SGLD | 1682-AP2L-BRZ | -- |
| Open Cover Cap for C-Shape Profiles | 1683-AP1U-SS | 1683-AP1U-MB | 1683-AP1U-AM | 1683-AP1U-SGLD | 1683-AP1U-BRZ | -- |
| Closed Cover Cap for C-Shape Profiles | 1683-AP2U-SS | 1683-AP2U-MB | 1683-AP2U-AM | 1683-AP2U-SGLD | 1683-AP2U-BRZ | -- |
| Vertical Profile Closed Cover Cap for Top/Bottom | 1684-APT8-SS | 1684-APT8-MB | 1684-APT8-AM | 1684-APT8-SGLD | 1684-APT8-BRZ | -- |
| Mounting Clip, Screw-On | -- | -- | -- | -- | -- | 1682-AP8 |
| Mounting Clip, Plastic Dowel (5mm) | -- | -- | -- | -- | -- | 1682-AP9 |

800.840.1228 / MARATHONHARDWARE.COM

View this product online at <https://marathonhardware.com/pd/1684-AV2-BRZ>



Technical Documents



Vertical Door Installation Kits

A Spacer Kit
1619-7SP



B Shim Kit for 16mm Panels
1627-2SH



Vertical Door Applications

C C-Profile for Vertical Double Doors
1684-AV2-SS Stainless Look
1684-AV2-MB Matte Black
1684-AV2-AN Anodized Matte



D L-Profile for Vertical Single Door
1685-AV1-SS Stainless Look
1685-AV1-MB Matte Black
1685-AV1-AN Anodized Matte

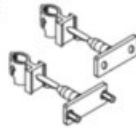


E Closed End Cap for Vertical Doors
1684-AP1TB-SS Stainless Look
1684-AP1TB-MB Matte Black
1684-AP1TB-AN Anodized Matte



Horizontal Profile Mounting Clips

F Mounting Clips for Horizontal Profiles
1682-AP8 Screw-On
1682-AP9 Plastic Dowel



Horizontal C-Shape - Between Drawers

G C-Profile for Between Drawers
1683-AID-SS Stainless Look
1683-AID-MB Matte Black
1683-AID-AN Anodized Matte



H Closed End Cap, C-Shape, Universal
1683-AP2U-SS Stainless Look
1683-AP2U-MB Matte Black
1683-AP2U-AN Anodized Matte



I Open End Cap, C-Shape, Universal
1683-AP1U-SS Stainless Look
1683-AP1U-MB Matte Black
1683-AP1U-AN Anodized Matte



Upper Cabinet Door Profile

J Upper Cabinet Profile

1645-2APC-SS Stainless Look
1645-2APC-MB Matte Black
1645-2APC-AN Anodized Matte



Horizontal L-Shape - Under Countertops

K L-Profile for Under Countertop

1682-AUC-SS Stainless Look
1682-AUC-MB Matte Black
1682-AUC-AN Anodized Matte



L 90° Inside Corner Joint

1682-AP4-SS Stainless Look
1682-AP4-MB Matte Black
1682-AP4-AN Anodized Matte



M 90° Outside Corner Joint

1682-AP5-SS Stainless Look
1682-AP5-MB Matte Black
1682-AP5-AN Anodized Matte



N Closed End Cap, L-Shape, Left

1682-AP2L-SS Stainless Look
1682-AP2L-MB Matte Black
1682-AP2L-AN Anodized Matte



O Closed End Cap, L-Shape, Right

1682-AP2R-SS Stainless Look
1682-AP2R-MB Matte Black
1682-AP2R-AN Anodized Matte



P Open End Cap, L-Shape, Left

1682-AP1L-SS Stainless Look
1682-AP1L-MB Matte Black
1682-AP1L-AN Anodized Matte



Q Open End Cap, L-Shape, Right

1682-AP1R-SS Stainless Look
1682-AP1R-MB Matte Black
1682-AP1R-AN Anodized Matte



View this product online at <https://marathonhardware.com/pd/1684-AV2-BRZ>

