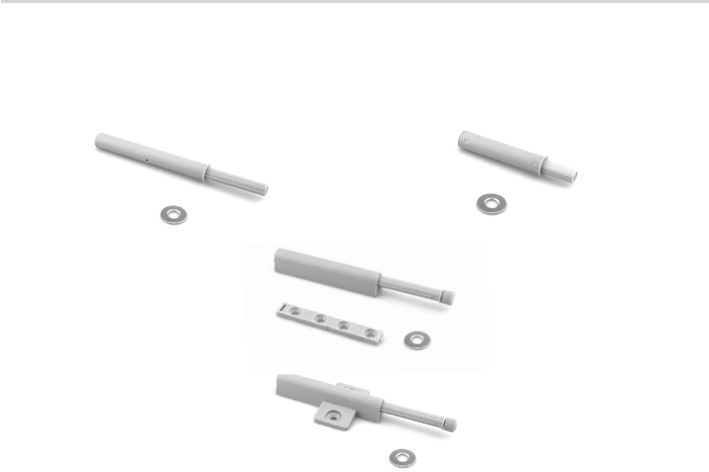


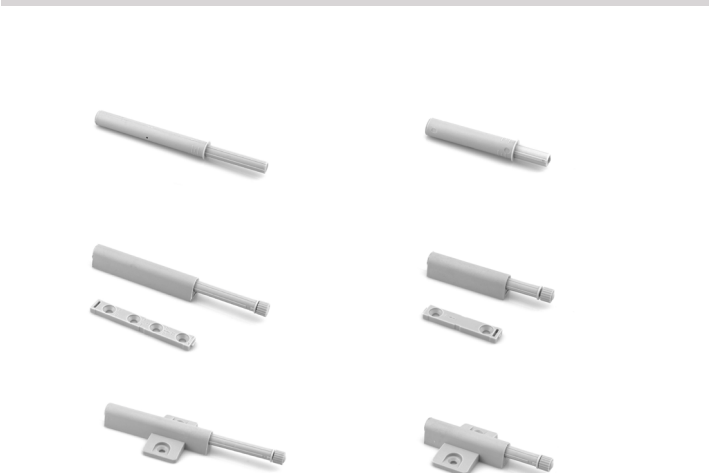
**Push Latches**



**Magnetic Push Latches for Free-Swinging (Unsprung) Hinges**



**Bumper Push Latches for Soft-Close or Self-Close Hinges**



**Product Features**

- DTC provides a series of mechanical and magnetic push-open door latches in various styles, meeting different needs of furniture designs.
- The appearance of a non-handle furniture and the push-open function deliver a fresh experience and more convenience to users.
- Magnetic or Bumper headed Latches for different styles of hinges
- Different open lengths and mounting options

Part#	Throw (Open) Length
<b>Recessed (Drill-In) Magnetic Push Latch</b>	

105-MSA01A	38mm
105-MSA01	18mm

<b>Magnetic Push Latch with Inline Fixing Plate</b>	
-----------------------------------------------------	--

105-MSB01A	39.7mm
------------	--------

<b>Magnetic Push Latch with Cross Fixing Plate</b>	
----------------------------------------------------	--

105-MSB03A	39.7mm
------------	--------

Part#	Throw (Open) Length
<b>Recessed (Drill-In) Bumper Push Latch</b>	

105-MSA02A	38mm
105-MSA02	18mm

<b>Bumper Push Latch with Inline Fixing Plate</b>	
---------------------------------------------------	--

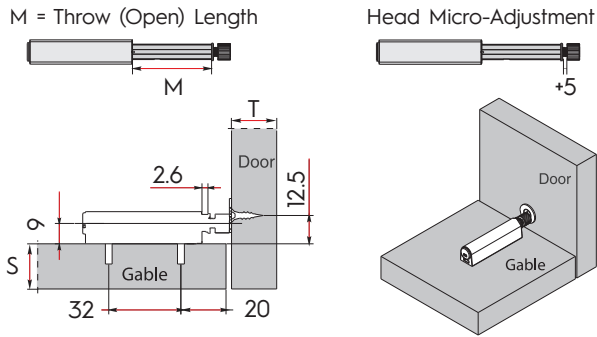
105-MSB02A	39.7mm
105-MSB02	19.7mm

<b>Bumper Push Latch with Cross Fixing Plate</b>	
--------------------------------------------------	--

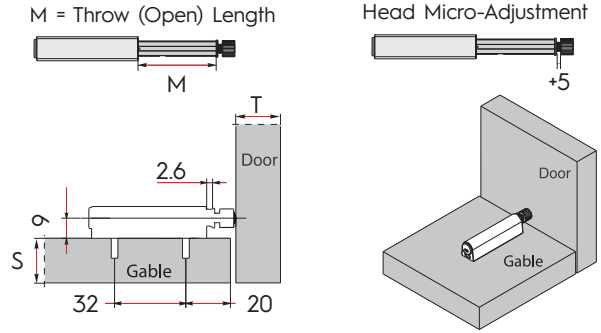
105-MSB04A	39.7mm
105-MSB04	19.7mm

## Installation Dimensions

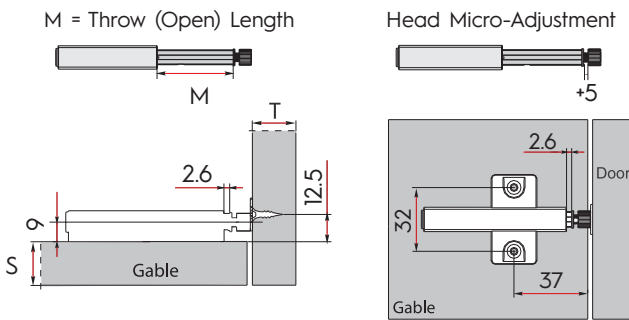
### Magnetic Push Latch with Inline Fixing Plate



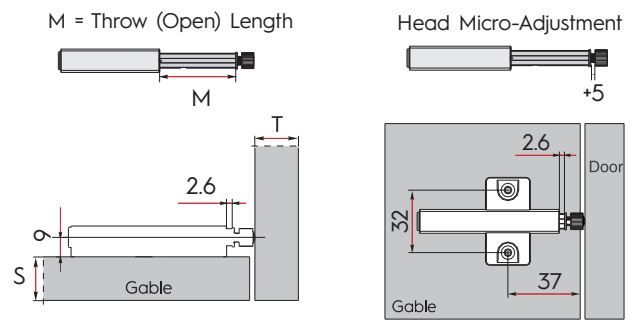
### Bumper Push Latch with Inline Fixing Plate



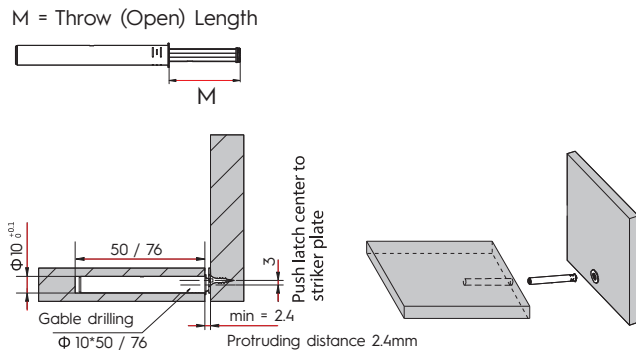
### Magnetic Push Latch with Cross Fixing Plate



### Bumper Push Latch with Cross Fixing Plate



### Magnetic Recessed (Drill-In) Push Latch



### Bumper Recessed (Drill-In) Push Latch

