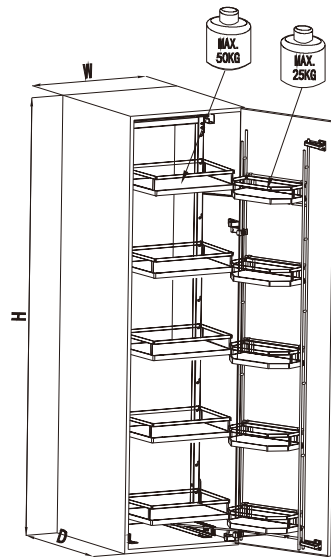


Swivel pull-out

Note:

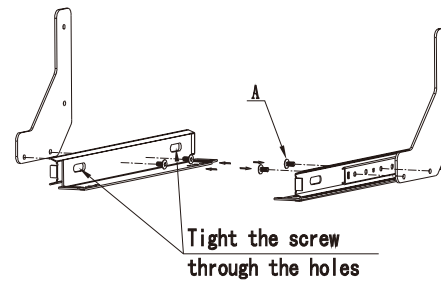
- 1、 please read the instruction carefully before installation;
- 2、 carcass width is subject to product ,510mm, depth,H=height,cabight thickness16-18mm

Name	W	D	H
Pantry basket	450 mm	510 mm	Min. 1320
Pantry basket	450 mm	510 mm	Min. 1620
Pantry basket	450 mm	510 mm	Min. 1820
Pantry basket	600 mm	510 mm	Min. 1320
Pantry basket	600 mm	510 mm	Min. 1620
Pantry basket	600 mm	510 mm	Min. 1820



Step 1.

1.0、 Install the L-shaped iron to the sliker;



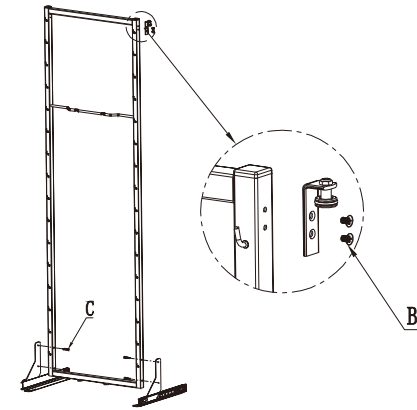
Step 3.

3.0、 Install the guideway and bearing support as shown;

Attn:The picture show the install process for Right-open The left open is just the opposite direction

Step 2.

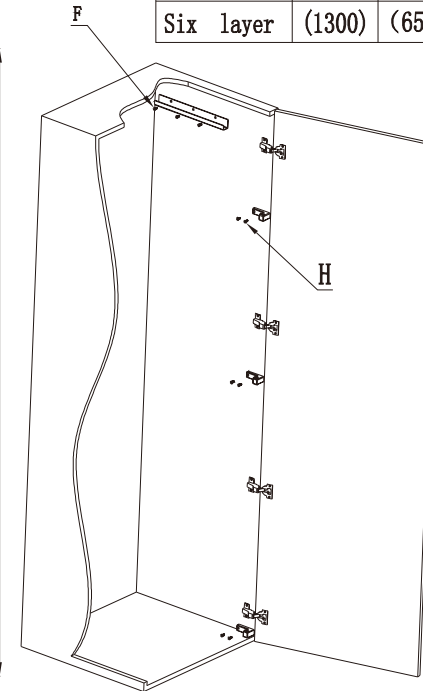
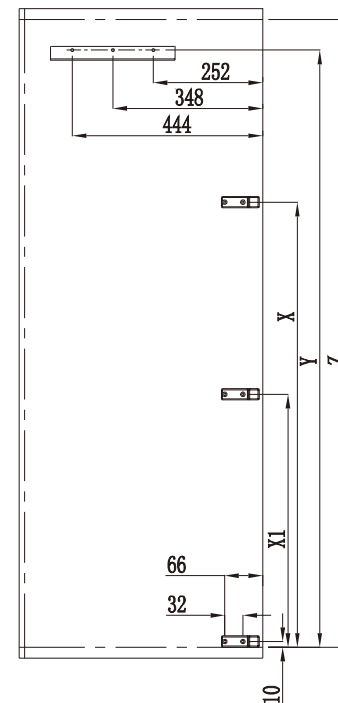
2.0、 Install the body frame to the L-shaped iron;



Name	X	X1	Y	Z
Four layer	(800)		1315	Min. 1358
Five layer	(1100)	(550)	1615	Min. 1658
Six layer	(1300)	(650)	1815	Min. 1858

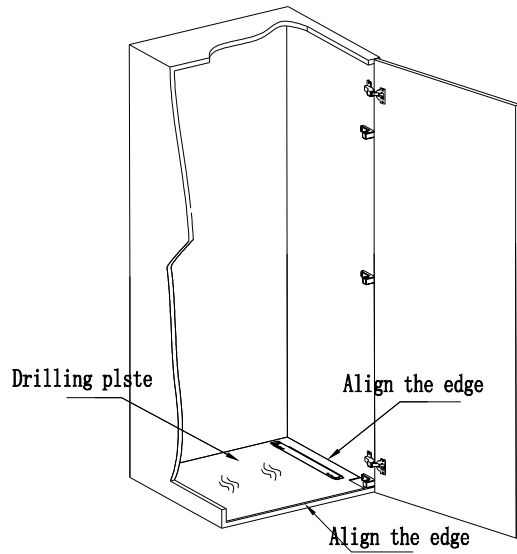
	Pictuere	Q'ty	Name
A		4	M6*8
B		4	M5*8
C		4	M6*30
D		4	Sliding shaft
E		4	M5*16
F		15	ST3. 5*16
G		12	ST3. 5*20
H		4/6	ST3. 5*25
I		2/3	Bearing supporting
J		2	Rnute guideway
K		1set	Slider
Y		4	M5 nut

L		1set	Slider cover
M		2	"L" basket
N		2	Connecting bar
O		1	Guideway
P		1	Filling piece
Q		2/3	Conned fittings
R		1	Door frame
S		1	Body frame
T		1	Roller guideway
U		1	Drilling plate
V		basket *2+2	basket plastic parts



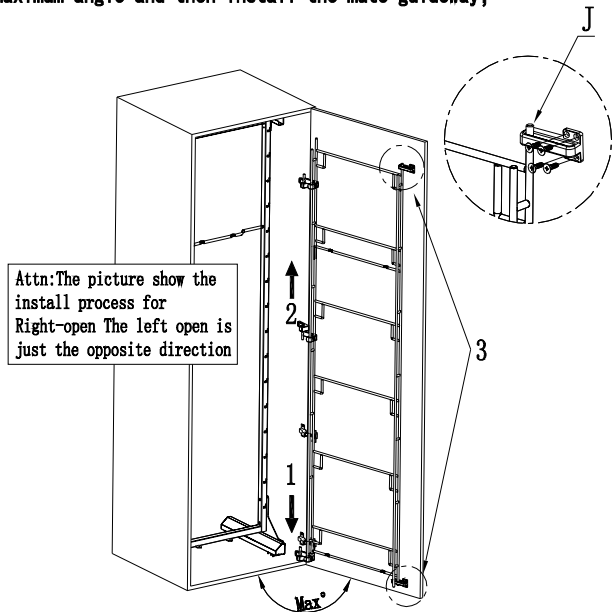
Step 4.

4.0, Drill 12pcs $\varnothing 2.5$ holes on the bottom cabinet according to the drilling plate;



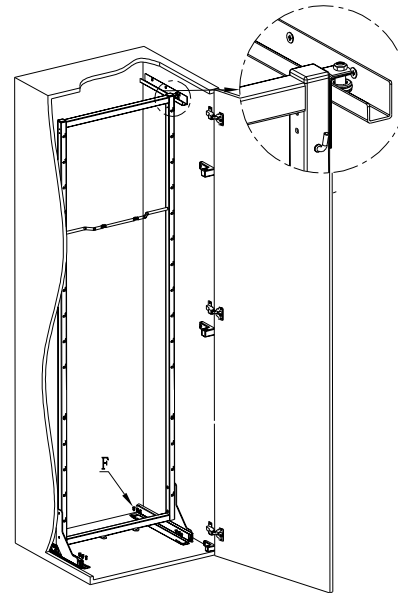
Step 7.

7.0, Install the door frame to cabinet open the door to the maximum angle and then install the mute guideway;



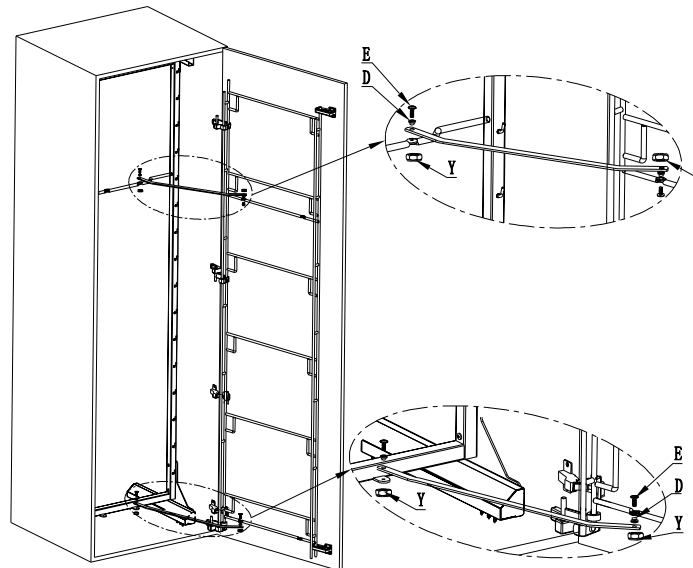
Step 5.

5.0, Install the frame to the cabinet;



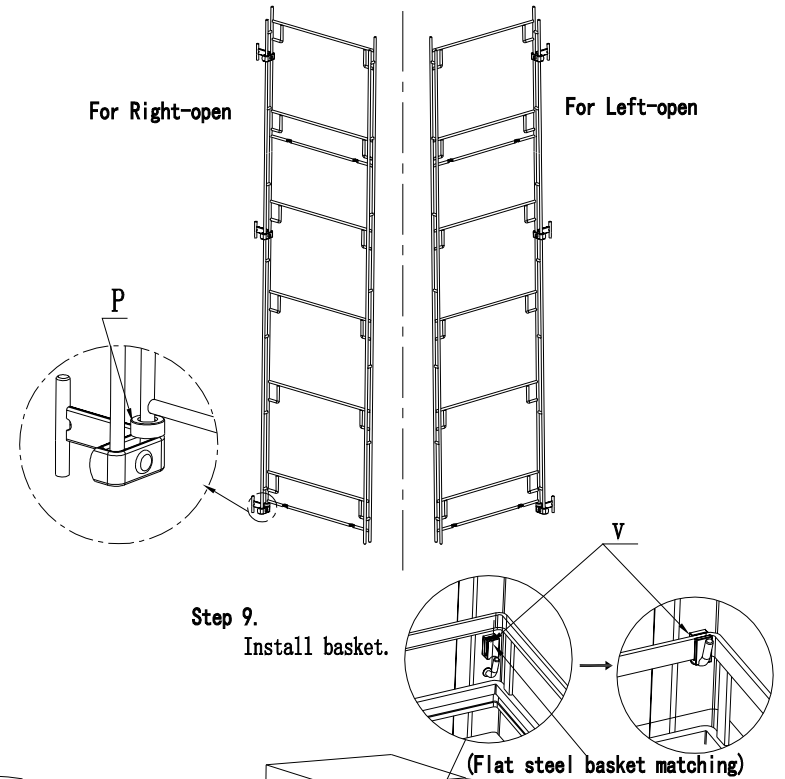
Step 8.

8.0, Install the connecting bar;



Step 6.

6.0, Install the connect fittings to the door frame;



Step 9.

Install basket.

